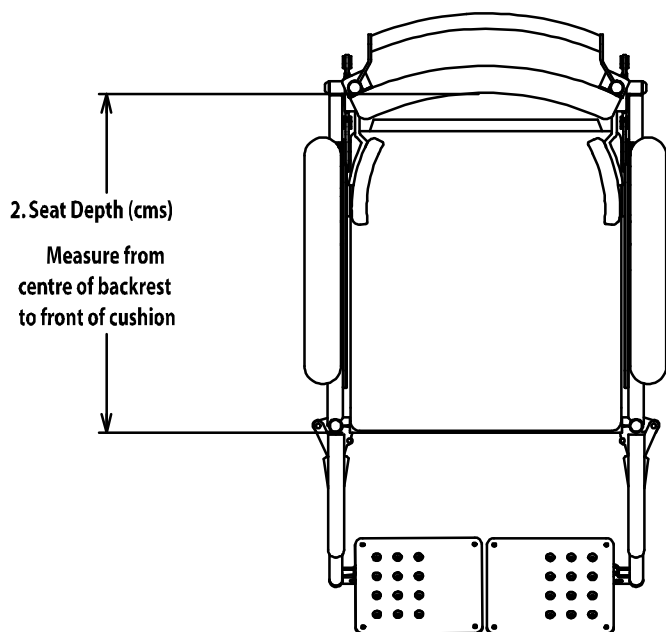
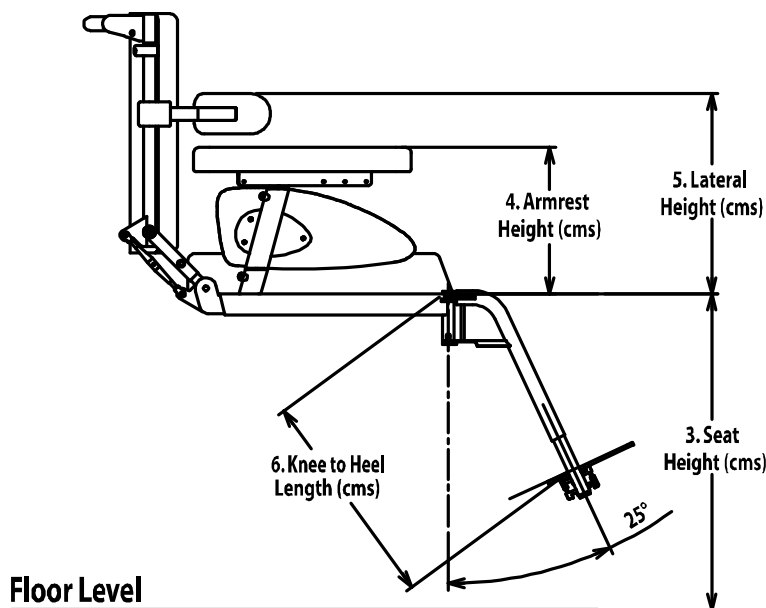
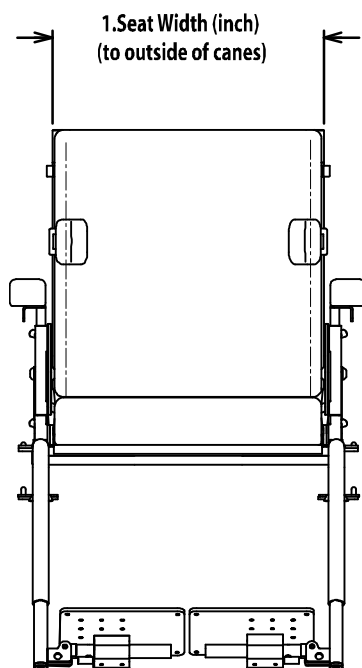


AC Mobility

How to Measure Guidelines – T2 seat



Client name	Date
Therapist	Organization
Telephone	Fax
Email	



#	Description	Measurement (cms)
1	Seat width	
2	Seat depth	
3	Floor to seat height – level	46
	Floor to seat height +7 degrees	52
4	Armrest height	
5	Lateral height	
6	Knee to heel – left	
	Knee to heel - right	

Notes
